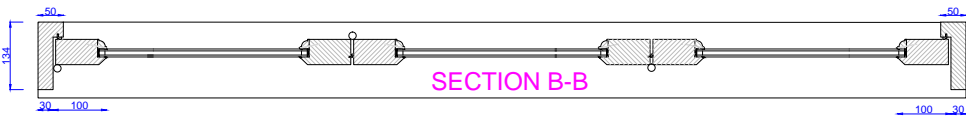
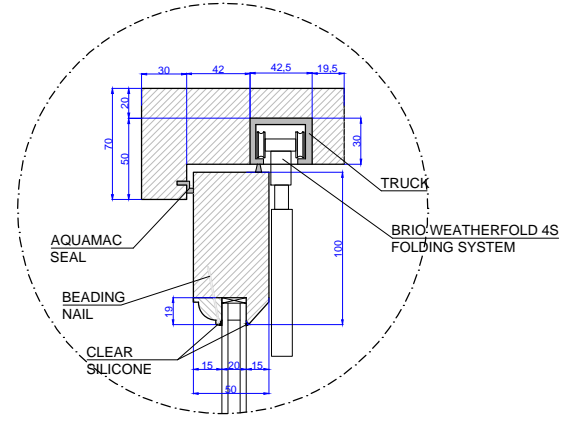


SECTION A-A

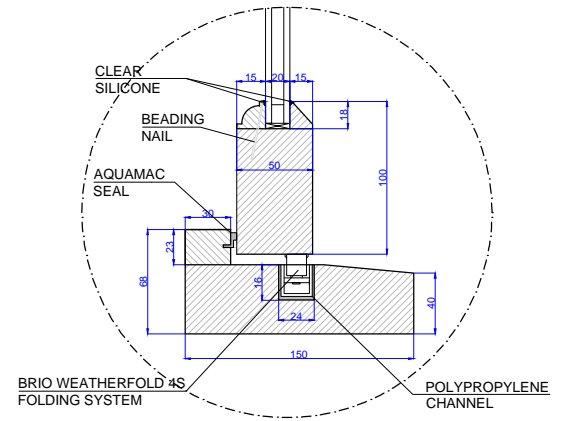


SECTION B-B

DETAIL 2



DETAIL 1



Wood and Home

Drawing Title:	Bi-folding timber doors	Drawing No: BFD/01
Scale: DNC	Details: Timber - Meranti Law E-double glazing toughen 4/12/4 Bi-fold system - BRIO Weatherfold 4S	Date: 31.03.2013